

Frame Assemblies

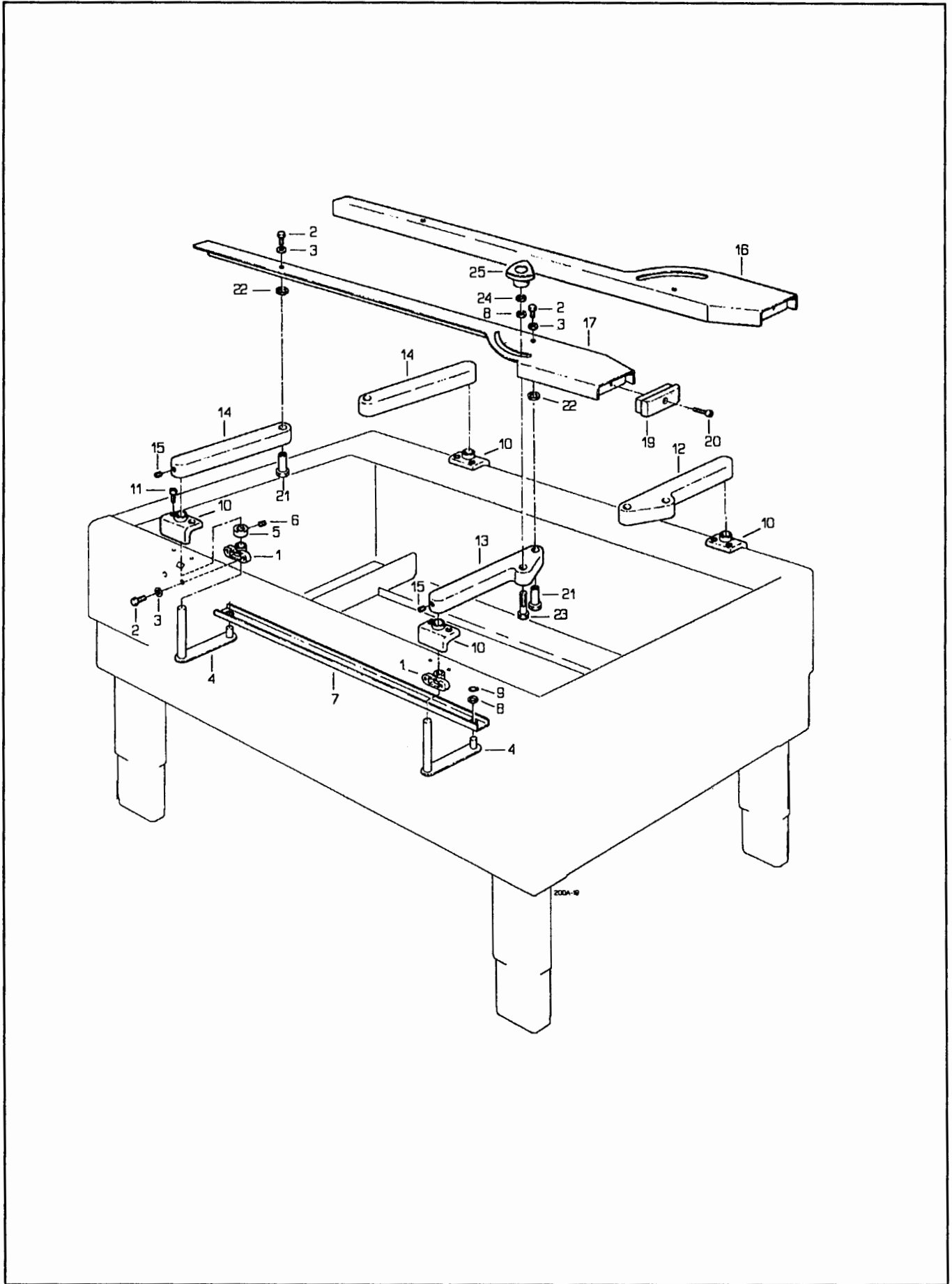


Figure 2796

**Figure 2796**

<b>Ref. No.</b>	<b>3M Part No.</b>	<b>Description</b>
2796-1	78-8070-1536-3	Support - Guide Arm
2796-2	78-8010-7169-3	Screw - Hex Hd M6 X 12, Metric
2796-3	26-1000-0010-3	Washer - Flat M6
2796-4	78-8070-1537-1	Lever With Pivot
2796-5	78-8070-1538-9	Bushing
2796-6	26-1003-8816-9	Screw - Set M5 X 6
2796-7	78-8070-1539-7	Link - Guide
2796-8	78-8017-9074-8	Washer - 15 mm Nylon
2796-9	78-8052-6733-9	Ring - M10 Special
2796-10	78-8070-1540-5	Support - Lever
2796-11	26-1003-7951-5	Screw - Soc Hd Hex Soc M5 X 20
2796-12	78-8070-1541-3	Guide Arm - Front, Right
2796-13	78-8070-1542-1	Guide Arm - Front, Left
2796-14	78-8070-1543-9	Guide Arm - Rear
2796-15	78-8076-4505-2	Screw - Set M6 X 8
2796-16	78-8070-1544-7	Guide - Right
2796-17	78-8070-1545-4	Guide - Left
2796-19	78-8070-1546-2	Cap - Guide
2796-20	26-1003-7953-1	Screw - Soc Hd M5 X 30
2796-21	78-8070-1547-0	Shaft - Guide
2796-22	78-8070-1548-8	Washer - 20 X 12, 5 X 1 Nylon
2796-23	26-1003-5852-7	Screw - Hex Hd M10 X 40
2796-24	78-8052-6566-3	Washer - Friction
2796-25	78-8070-1549-6	Knob - VIR-B-M10

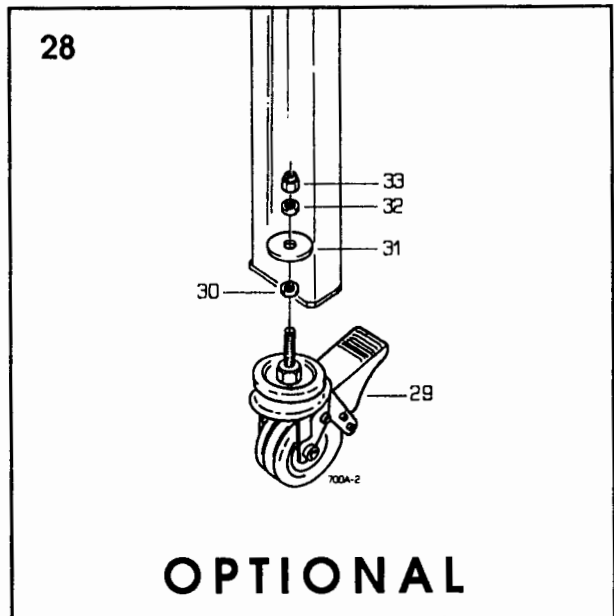
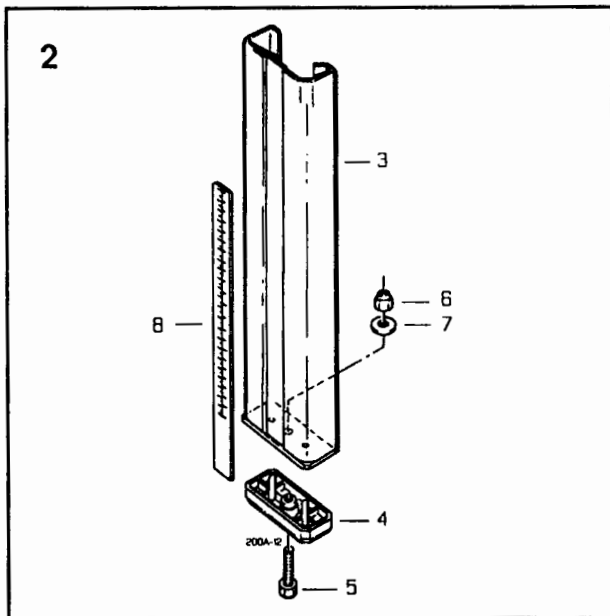
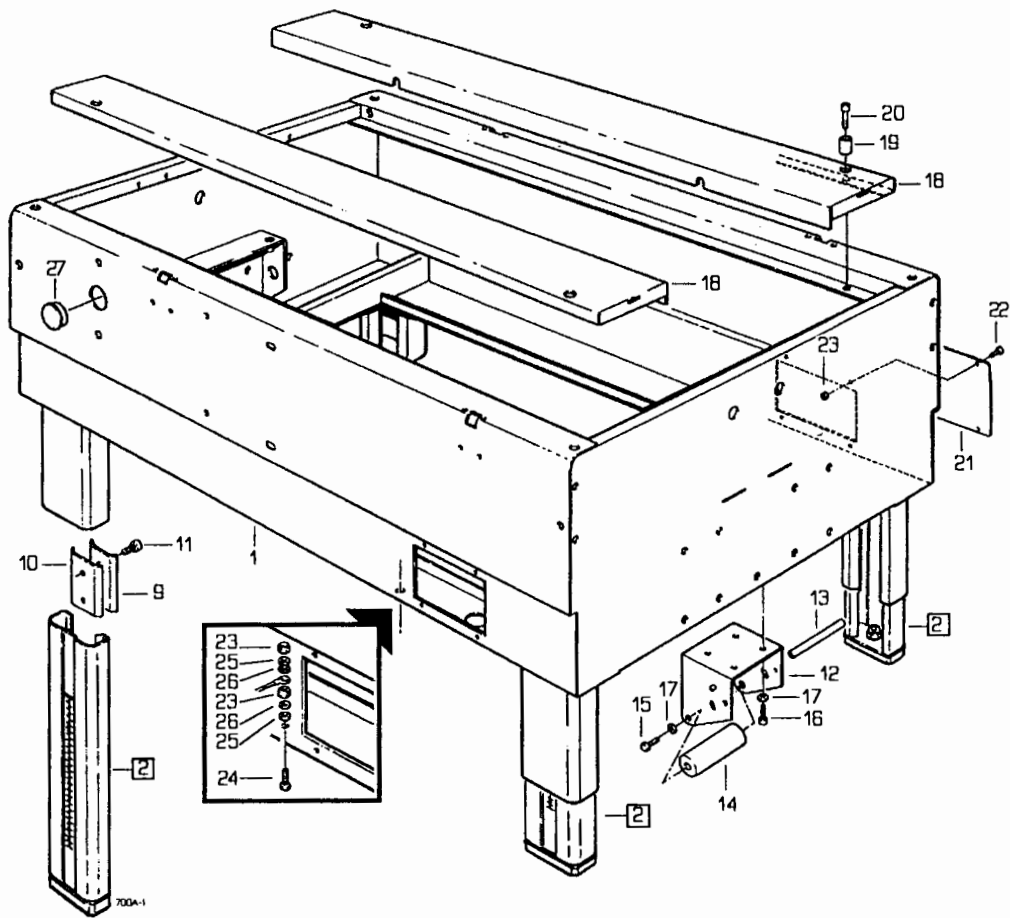


Figure 2802

**Figure 2802**

<b>Ref. No.</b>	<b>3M Part No.</b>	<b>Description</b>
2802-1	78-8070-1578-5	Bed - Conveyor
2802-2	78-8060-8478-2	Leg Assembly - Inner
2802-3	78-8060-8479-0	Leg - Inner
2802-4	78-8060-8480-8	Pad - Foot
2802-5	78-8055-0867-4	Screw - Hex Hd M8 x 30
2802-6	78-8017-9313-0	Nut - Self Locking M8
2802-7	26-1004-5507-5	Washer - M8
2802-8	78-8060-8481-6	Label - Height
2802-9	78-8052-6676-0	Clamp - Outer
2802-10	78-8052-6677-8	Clamp - Inner
2802-11	26-1003-7963-0	Screw - Soc Hd M8 x 16
2802-12	78-8060-8483-2	Support - Outboard Roll Mount
2802-13	78-8060-8484-0	Shaft - Roller
2802-14	78-8060-8485-7	Roller
2802-15	78-8032-0375-7	Screw - Hex Hd M6 x 16
2802-16	26-1003-7957-2	Screw - Soc Hd Hex Hd M6 x 16
2802-17	26-1000-0010-3	Washer - Flat M6
2802-18	78-8076-4620-9	Plane - Conveyor Bed
2802-19	78-8060-8486-5	Bushing
2802-20	78-8010-7211-3	Screw - Soc Hd M6 x 25
2802-21	78-8060-8487-3	Cover - Switch
2802-22	78-8060-8087-1	Screw - M5 x 10
2802-23	78-8010-7417-6	Nut - Hex M5
2802-24	78-8060-8488-1	Screw - Hex Hd M5 x 20
2802-25	78-8046-8217-3	Washer - Special
2802-26	78-8005-5741-1	Washer - Plain M5
2802-27	78-8076-4701-7	Cap /28
2802-28	78-8060-8060-8	Caster Assembly - /80
2802-29	78-8060-8061-6	Caster - /80
2802-30	78-8060-8124-2	Spacer - Caster
2802-31	78-8060-7699-4	Washer - /12-45,5X4
2802-32	78-8017-9059-9	Washer - Flat For M12 Screw
2802-33	78-8060-7532-7	Nut - Self Locking M12

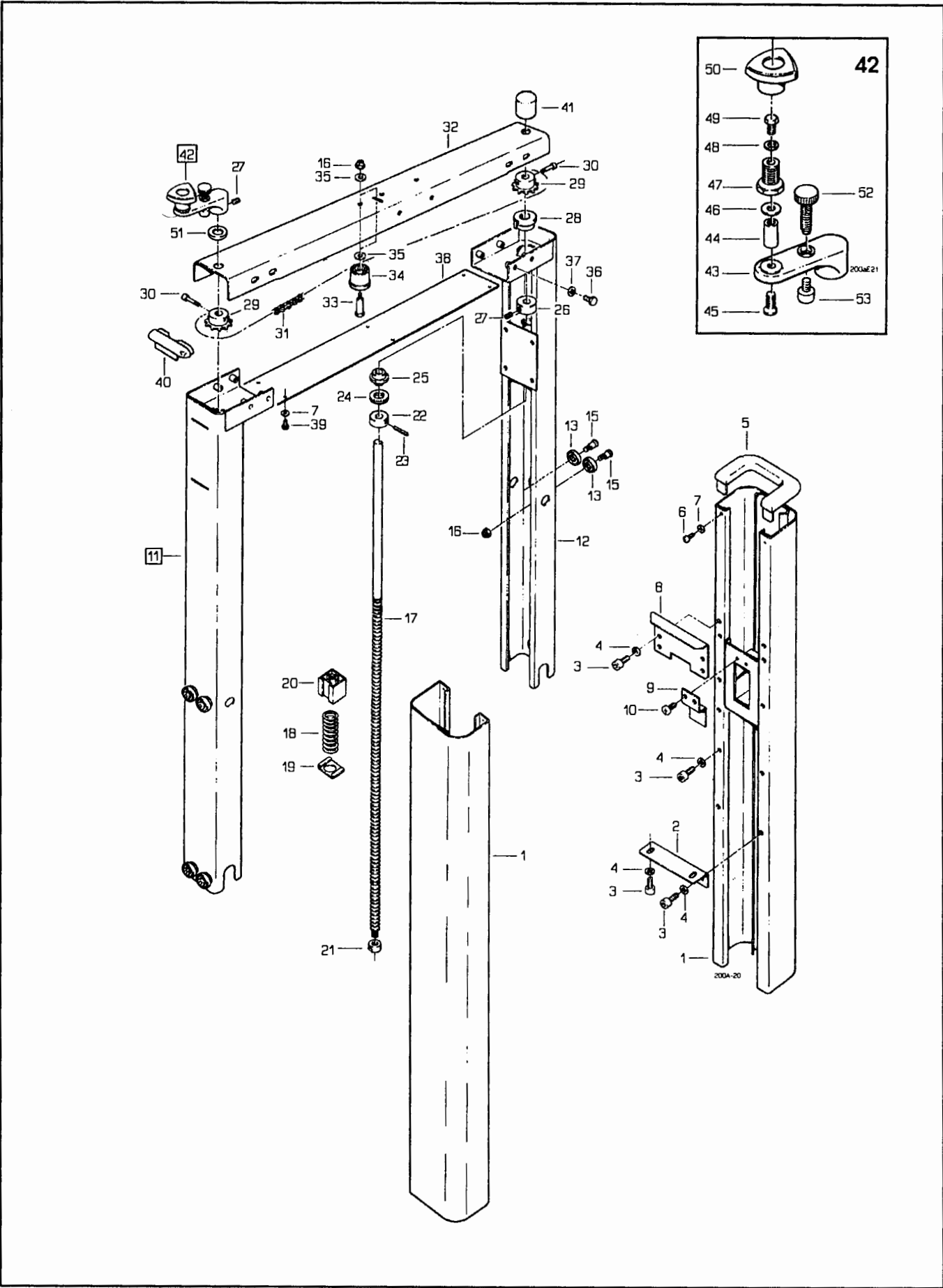


Figure 2803

Figure 2803

Ref. No.	3M Part No.	Description
2803-1	78-8060-8489-9	Column - Outer
2803-2	78-8060-8490-7	Plate - Column Mounting
2803-3	26-1003-7963-0	Screw - Soc Hd M8 x 16
2803-4	78-8017-9318-9	Washer - Plain 8 mm
2803-5	78-8060-8491-5	Cap - Column
2803-6	26-1002-4955-1	Screw - Self Tap 8P x 13
2803-7	78-8005-5740-3	Washer - Plain 4 mm
2803-8	78-8060-8492-3	Stop - Height
2803-9	78-8060-8493-1	Plate - Nut Stop
2803-10	78-8060-8087-1	Screw - M5 x 10
2803-11	78-8060-8494-9	Column Assembly - Inner
2803-12	78-8060-8495-6	Column - Inner
2803-13	78-8054-8617-8	Bearing - Special
2803-15	78-8054-8589-9	Screw - Special
2803-16	26-1003-6916-9	Nut - Locking Plastic Insert M6
2803-17	78-8060-8496-4	Lead Screw
2803-18	78-8054-8997-4	Spring
2803-19	78-8054-8970-1	Bed Plate For Spring
2803-20	78-8054-8571-7	Plastic Nut
2803-21	78-8054-8968-5	Special Nut
2803-22	78-8054-8585-7	Collar
2803-23	78-8054-8586-5	Pin
2803-24	78-8054-8584-0	Spacer
2803-25	78-8054-8583-2	Bushing
2803-26	78-8060-8497-2	Bushing - Lead Screw
2803-27	78-8059-5617-0	Set Screw - M6 x 8
2803-28	78-8060-8498-0	Bushing - Inner Column
2803-29	78-8060-8499-8	Sprocket - 3/8" Z=13
2803-30	78-8070-1500-9	Screw - Soc Hd Hex Hd M4 x 25
2803-31	78-8070-1501-7	Chain - 3/8" P=156
2803-32	78-8070-1502-5	Housing - Chain
2803-33	78-8060-7878-4	Idler Screw
2803-34	78-8070-1503-3	Roller - Chain Tensioning
2803-35	78-8042-2919-9	Washer - M6
2803-36	26-1003-5828-7	Screw - Hex Hd M6 x 12
2803-37	26-1000-0010-3	Washer - Flat M6
2803-38	78-8070-1504-1	Cover
2803-39	26-1002-5753-9	Screw - Self Tapping
2803-40	78-8070-1505-8	Cap - Inner Column
2803-41	78-8070-1506-6	Cover - Screw
2803-42	78-8076-4705-8	Crank Assembly W/Block
2803-43	78-8070-1508-2	Crank
2803-44	78-8070-1509-0	Shaft - Crank
2803-45	26-1005-5316-8	Screw - Flat Hd Hex Dr M5 x 16
2803-46	78-8070-1510-8	Washer - Nylon /7X15X1
2803-47	78-8070-1511-6	Bushing
2803-48	78-8005-5740-3	Washer - Plain 4 mm
2803-49	78-8010-7157-8	Screw - Hex Hd M4 x 10
2803-50	78-8070-1512-4	Knob - VTR-B-M12
2803-51	78-8070-1548-8	Washer - Nylon 20X12, 5X1
2803-52	78-8076-4703-3	Block - Crank
2803-53	78-8060-8080-6	Guard - Stop

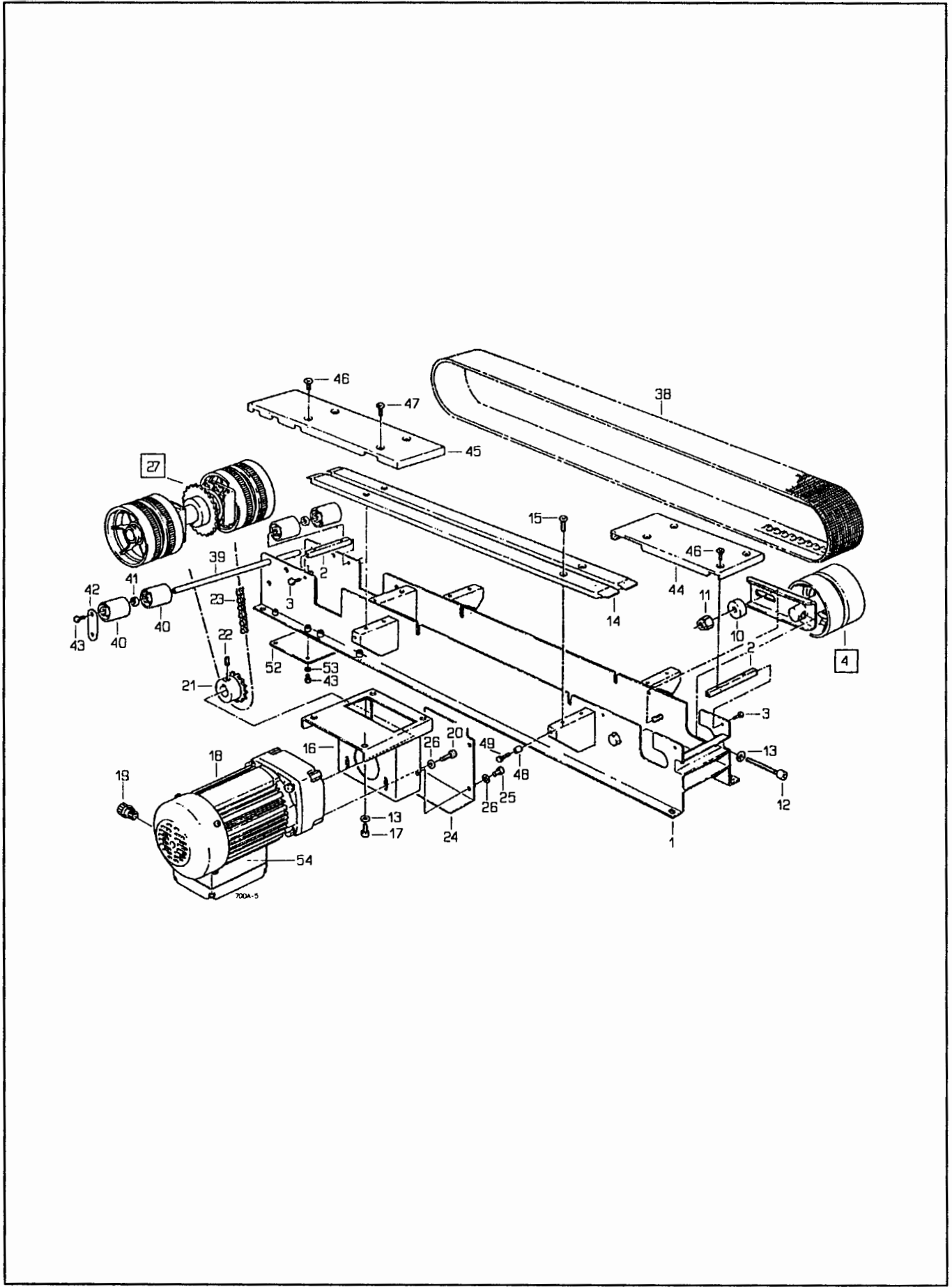


Figure 2804/1 of 2

Figure 2804 (Page 1 of 2)

Ref. No.	3M Part No.	Description
2804-1	78-8070-1580-1	Frame - Drive
2804-2	78-8070-1514-0	Spacer
2804-3	26-1003-5828-7	Screw - Hex Hd M6 x 12
2804-4	78-8070-1516-5	Belt - Tensioning Assembly
2804-5	78-8070-1517-3	Belt - Tensioning
2804-6	78-8052-6710-7	Roller - Idler
2804-7	78-8052-6709-9	Washer - Special
2804-8	78-8010-7435-8	Washer - Lock M6
2804-9	26-1003-7957-2	Screw - Soc Hd Hex Hd M6 x 16
2804-10	78-8070-1518-1	Spacer - Shaft
2804-11	26-1003-6918-5	Nut - Plastic Insert Hex Flange M10
2804-12	78-8070-1519-9	Screw - Soc Hd Hex Hd M8 x 70
2804-13	78-8017-9318-9	Washer - Plain 8 mm
2804-14	78-8070-1520-7	Guide - Drive Belt
2804-15	26-1005-4758-2	Screw - Flat Hd M5 x 20
2804-16	78-8070-1521-5	Support - Gearbox
2804-17	26-1003-7963-0	Screw - Soc Hd M8 x 16
2804-18	78-8070-1522-3	Gearmotor - 115V, 60HZ
2804-19	78-8057-5807-1	Cord Grip
2804-20	78-8070-1523-1	Screw - 1/4 - 28X1/2 SHCS
2804-21	78-8070-1524-9	Sprocket - 3/8" Z=17
2804-22	78-8023-2479-4	Screw - Set W/End Cup M6 x 10
2804-23	78-8070-1525-6	Chain - 3/8" P=54
2804-24	78-8070-1526-4	Cover - Chain

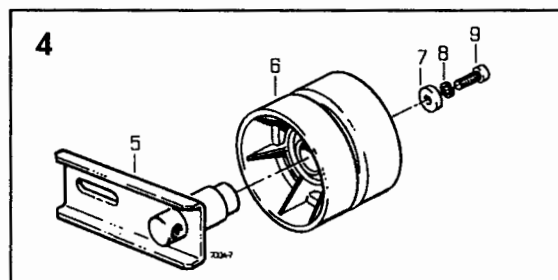
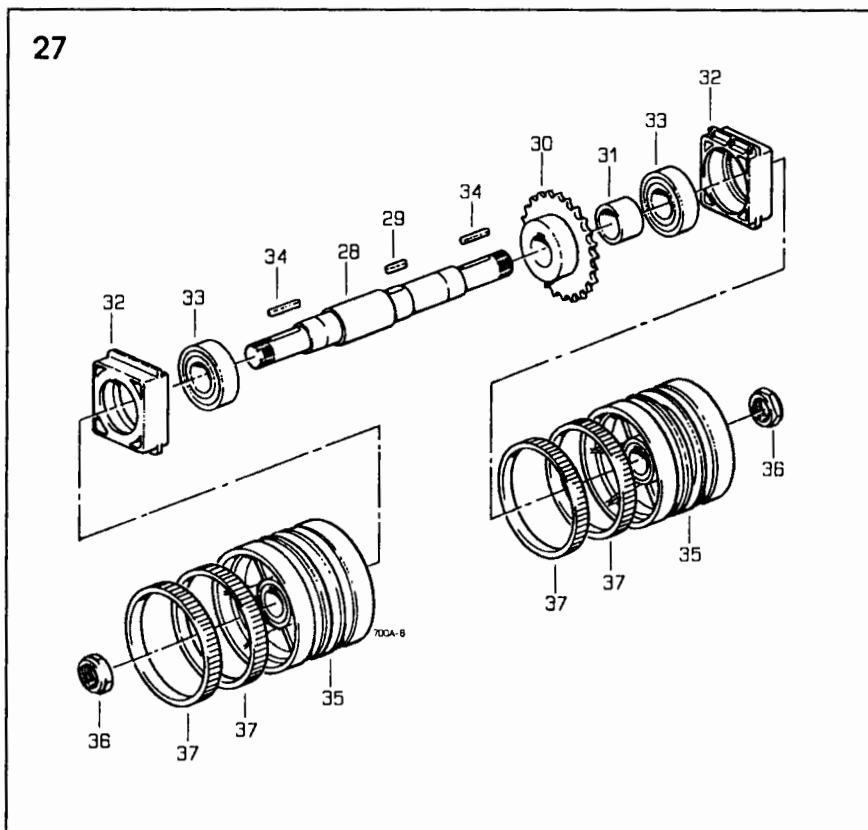
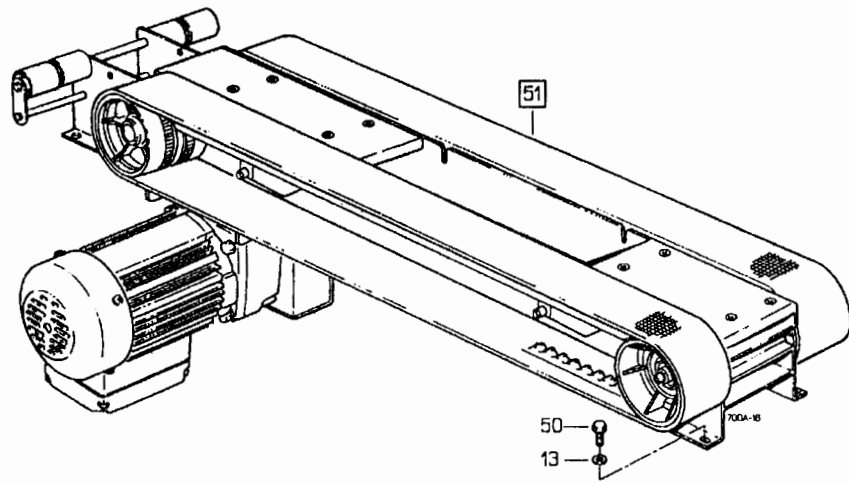


Figure 2804/2 of 2

**Figure 2804** (Page 2 of 2)

<b>Ref. No.</b>	<b>3M Part No.</b>	<b>Description</b>
2804-25	78-8010-7209-7	Screw - Soc Hd M6 x 12
2804-26	26-1000-0010-3	Washer - Flat M6
2804-27	78-8070-1527-2	Shaft With Drive Pulleys
2804-28	78-8070-1528-0	Shaft - Gearbox
2804-29	78-8057-5811-3	Key - 6 x 6 x 20 mm
2804-30	78-8054-8986-7	Sprocket - 3/8" Pitch, 28 Teeth
2804-31	78-8054-8984-2	Bushing
2804-32	78-8070-1529-8	Support - Shaft
2804-33	78-8070-1530-6	Bearing - 6206-2RS
2804-34	78-8057-5739-6	Key - M5 x 5 x 30 mm
2804-35	78-8060-8072-3	Roller - Drive
2804-36	78-8060-8416-2	Nut - Special M20 x 1
2804-37	78-8052-6713-1	Ring - Polyurethane
2804-38	78-8070-1531-4	Belt - Drive With Hook
2804-39	78-8070-1581-9	Shaft - Roller
2804-40	78-8060-7693-7	Roller - 32 x 38
2804-41	78-8070-1582-7	Spacer - Roller
2804-42	78-8070-1583-5	Plate - Drive
2804-43	26-1003-5820-4	Screw - Hex Hd M5 x 12
2804-44	78-8070-1584-3	Cover - Drive, Front
2804-45	78-8070-1585-0	Cover - Drive, Rear
2804-46	26-0001-5862-1	Screw - Flat Hd Soc M5 x 12
2804-47	26-1005-5316-8	Screw - Flat Hd Hex Dr M5 x 16
2804-48	78-8070-1534-8	Stud - Side Plate
2804-49	78-8060-8488-1	Screw - Hex Hd M5 x 20
2804-50	26-1003-5841-0	Screw - M8 x 16
2804-51	78-8070-1586-8	Bottom Drive Assembly
2804-52	78-8076-4562-3	Cover - Bottom
2804-53	78-8005-5741-1	Washer - Plain M5
2804-54	78-8076-4515-1	Capacitor - 115V Gearmotor

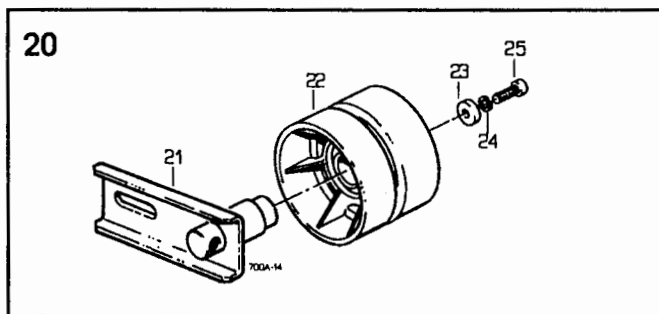
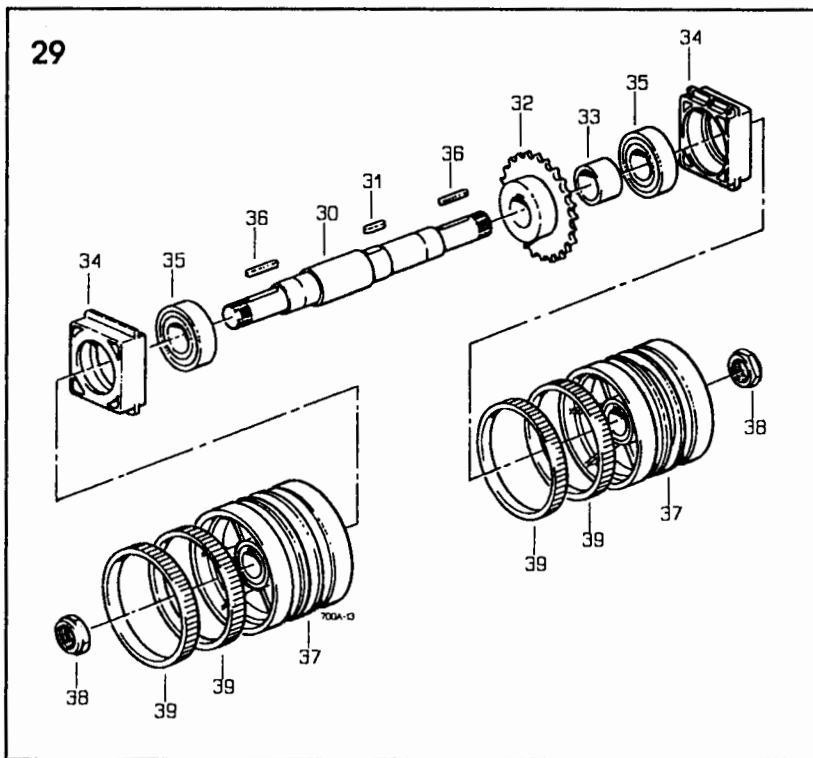
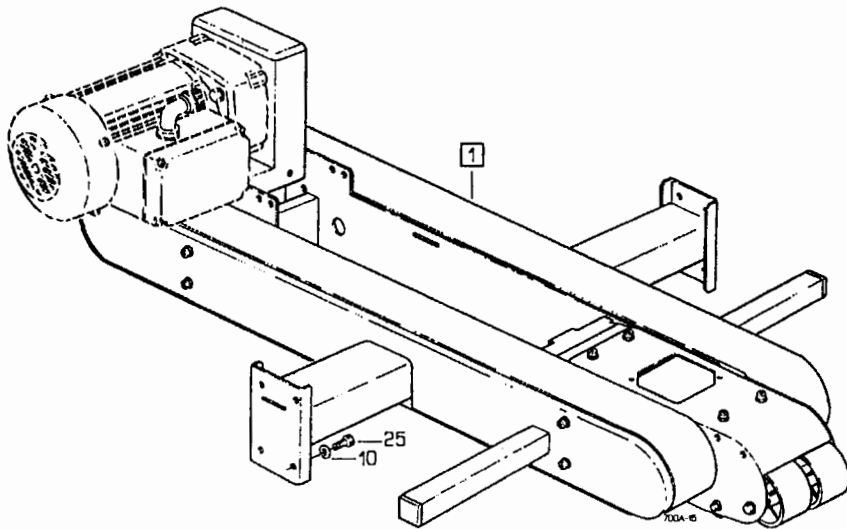


Figure 2805/1 of 2

**Figure 2805** (Page 1 of 2)

<b>Ref. No.</b>	<b>3M Part No.</b>	<b>Description</b>
2805-1	78-8070-1587-6	Upper Drive Assembly
2805-2	78-8070-1588-4	Frame - Drive, Upper
2805-3	78-8070-1520-7	Guide - Drive Belt
2805-4	26-1005-4758-2	Screw - Flat Hd M5 x 20
2805-5	78-8070-1589-2	Clamp - Upper Head
2805-6	78-8070-1590-0	Shaft - Roller
2805-7	78-8060-8087-1	Screw - M5 x 10
2805-8	78-8070-1514-0	Spacer
2805-9	78-8010-7169-3	Screw - Hex Hd M6 x 12
2805-10	26-1000-0010-3	Washer - Flat M6
2805-11	78-8070-1591-8	Shaft - Roller /15X106
2805-12	78-8052-6641-4	Roller
2805-13	78-8070-1592-6	Spacer - Roller
2805-14	26-1003-5841-0	Screw - M8 x 16
2805-15	78-8017-9318-9	Washer - Plain 8 mm
2805-16	78-8060-7693-7	Roller - 32 x 38
2805-17	78-8070-1593-4	Spacer - Roller
2805-18	26-1003-5820-4	Screw - Hex Hd M5 x 12
2805-19	78-8005-5741-1	Washer - Plain M5
2805-20	78-8070-1516-5	Belt Tensioning Assembly
2805-21	78-8070-1517-3	Belt Tensioning
2805-22	78-8052-6710-7	Roller - Idler
2805-23	78-8052-6709-9	Washer - Special
2805-24	78-8010-7435-8	Washer - Lock M6
2805-25	26-1003-7957-2	Screw - Soc Hd Hex Hd M6 x 16
2805-26	78-8070-1518-1	Spacer - Shaft
2805-27	26-1003-6918-5	Nut - Plastic Insert Hex Flange M10
2805-28	78-8070-1594-2	Screw - Hex Hd M8 x 60
2805-29	78-8070-1527-2	Shaft With Drive Pulleys

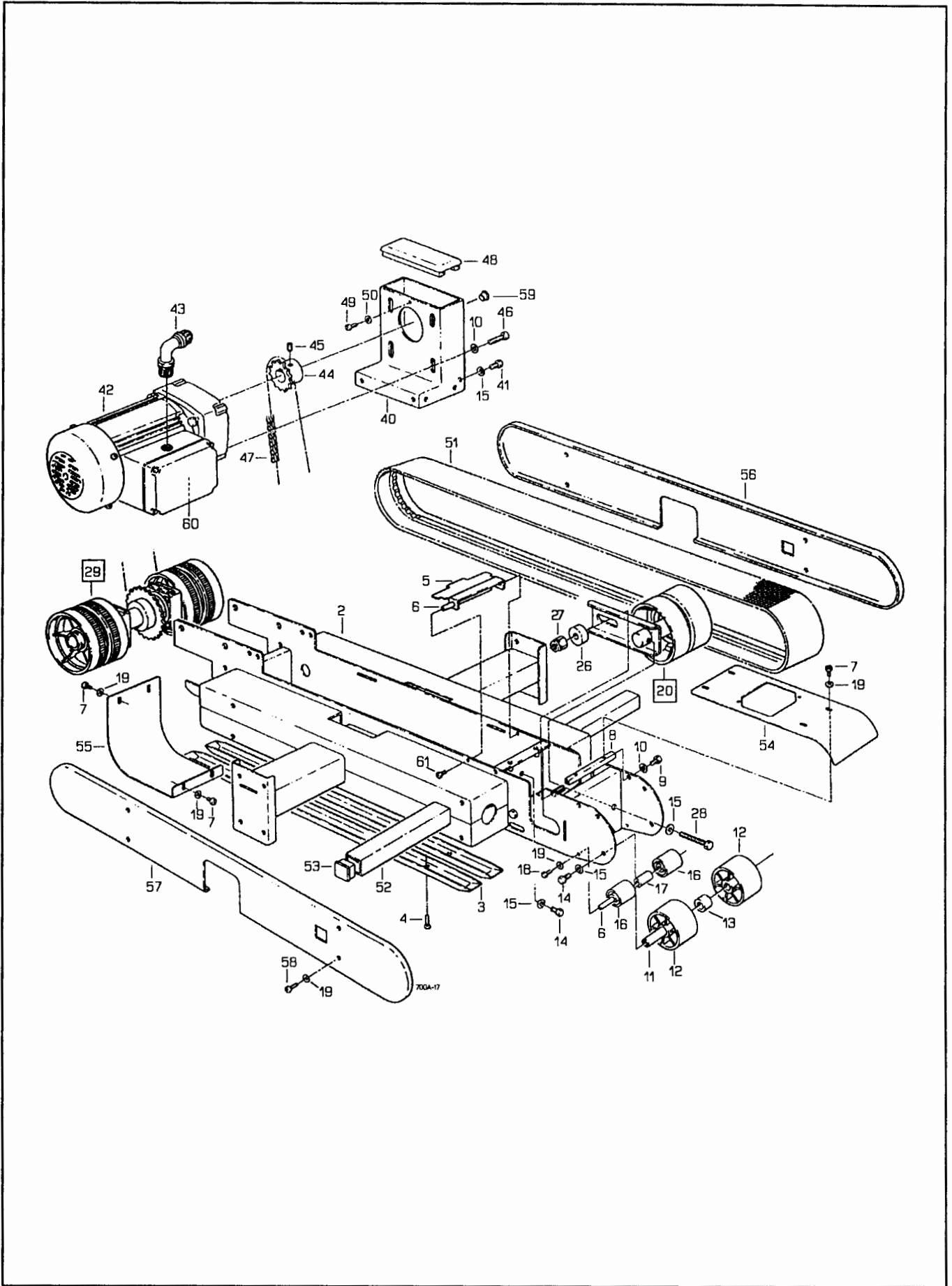


Figure 2805/2 of 2

Ref. No.	3M Part No.	Description
2805-30	78-8070-1528-0	Shaft - Gearbox
2805-31	78-8057-5811-3	Key - 6 x 6 x 20
2805-32	78-8054-8986-7	Sprocket - 3/8" Pitch, 28 Teeth
2805-33	78-8054-8984-2	Bushing
2805-34	78-8070-1529-8	Support - Shaft
2805-35	78-8070-1530-6	Bearing - 6205 - 2RS
2805-36	78-8057-5739-6	Key - M5 x 5 x 30 mm
2805-37	78-8060-8072-3	Roller - Drive
2805-38	78-8060-8416-2	Nut - Special M20 x 1
2805-39	78-8052-6713-1	Ring - Polyurethane
2805-40	78-8070-1595-9	Support - Drive
2805-41	26-1003-5842-8	Screw - Hex Hd M8 x 20
2805-42	78-8070-1522-3	Gearmotor - 115V, 60HZ
2805-43	78-8070-1596-7	Union - Elbow PG 13,5
2805-44	78-8070-1524-9	Sprocket - 3/8" Z=17
2805-45	78-8023-2479-4	Screw - Set W/End Cup, M6 x 10
2805-46	78-8070-1523-1	Screw - 1/4-28 x 1/2 SHCS
2805-47	78-8070-1597-5	Chain - 3/8" P=62
2805-48	78-8070-1598-3	Cover
2805-49	26-1002-4955-1	Screw - Self Tap 8P x 13
2805-50	78-8005-5740-3	Washer - Plain 4 mm
2805-51	78-8070-1531-4	Belt - Drive, With Hook
2805-52	78-8070-1599-1	Tube - Compression Roller
2805-53	78-8052-6652-1	Cap - End
2805-54	78-8076-4621-7	Cover - Front, Upper
2805-55	78-8076-4622-5	Cover - Rear, Upper
2805-56	78-8076-4623-3	Cover - Upper, Right
2805-57	78-8076-4624-1	Cover - Upper, Left
2805-58	78-8076-4625-8	Screw - Special M5 x 16
2805-59	78-8054-8821-6	End - Cap
2805-60	78-8076-4515-1	Capacitor - 115V Gearmotor
2805-61	26-1003-7948-1	Screw - Soc Hd Hex Soc M5 x 10

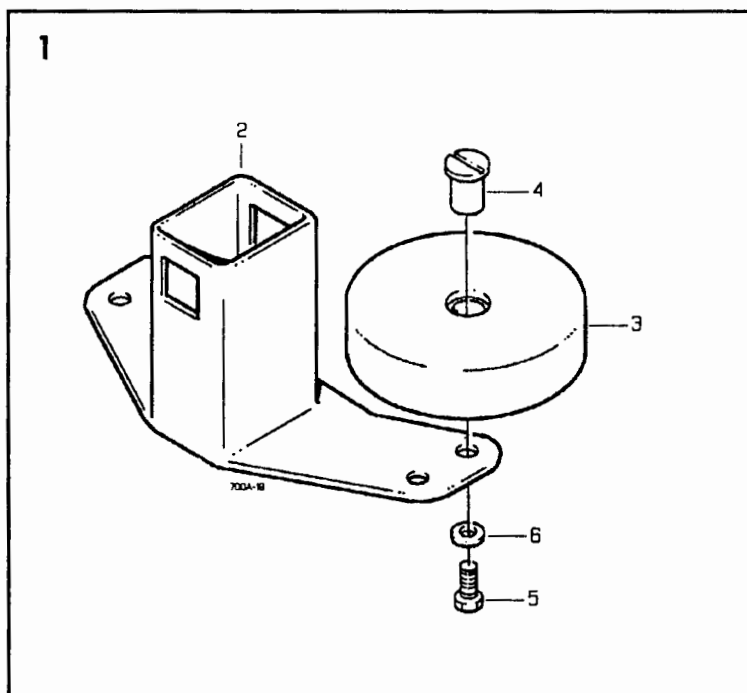
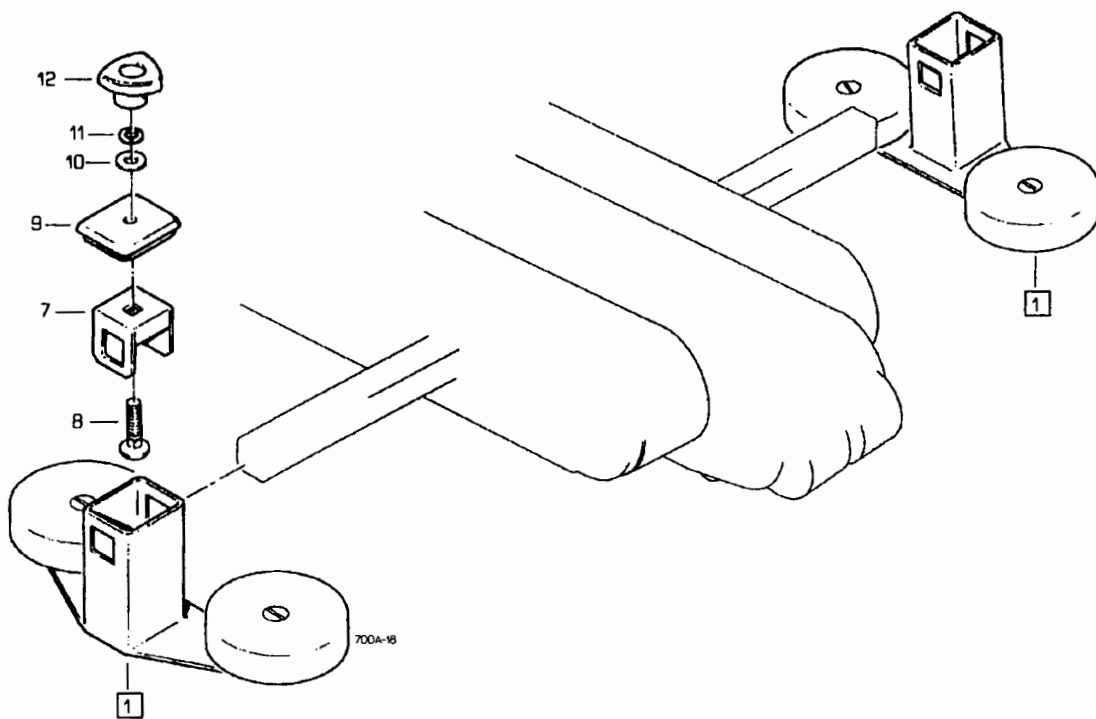


Figure 2806

**Figure 2806**

<b>Ref. No.</b>	<b>3M Part No.</b>	<b>Description</b>
2806-1	78-8076-4626-6	Compression Roller Assembly
2806-2	78-8076-4627-4	Support - Compression Roller
2806-3	78-8076-4628-2	Roller - Compression
2806-4	78-8076-4629-0	Shaft - Roller
2806-5	26-1003-5841-0	Screw - M8 x 16
2806-6	78-8017-9318-9	Washer - Plain 8 mm
2806-7	78-8076-4630-8	Plate - Tube, Roller
2806-8	78-8076-4631-6	Screw - M10 x 35
2806-9	78-8076-4632-4	Cap - Support
2806-10	78-8017-9074-8	Washer - Nylon 15 mm
2806-11	78-8052-6566-3	Washer - Friction
2806-12	78-8070-1549-6	Knob - VTR-B-M10

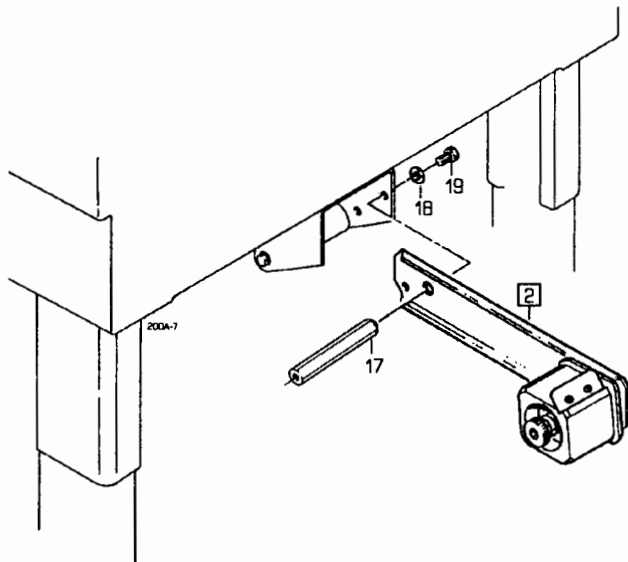
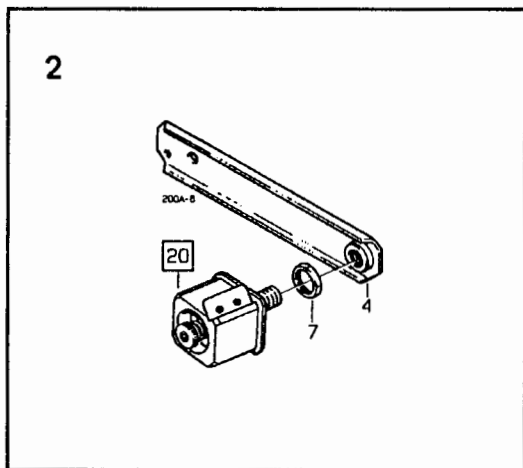
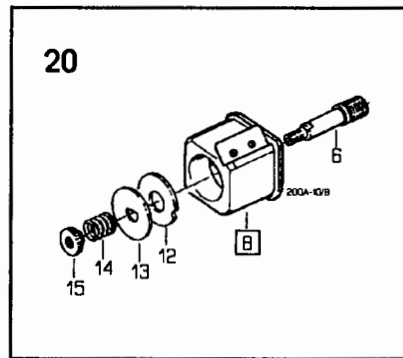
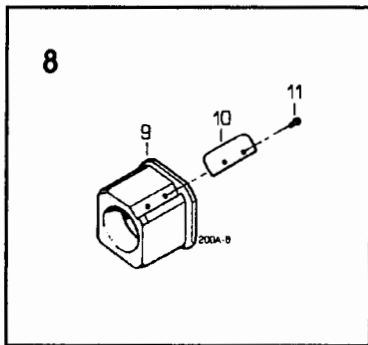
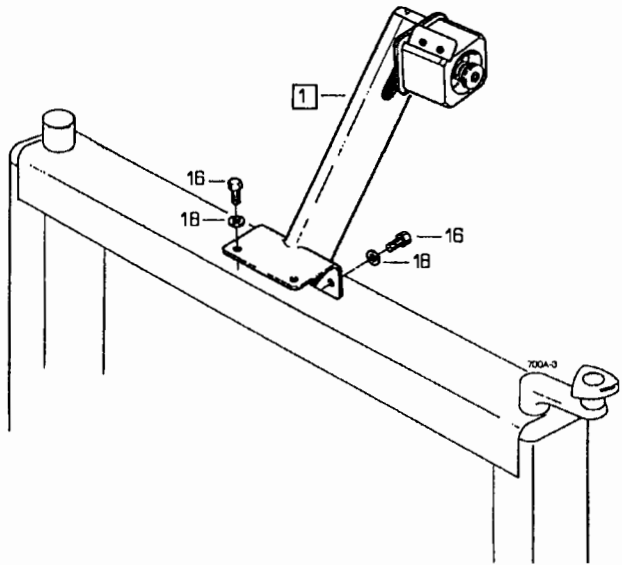
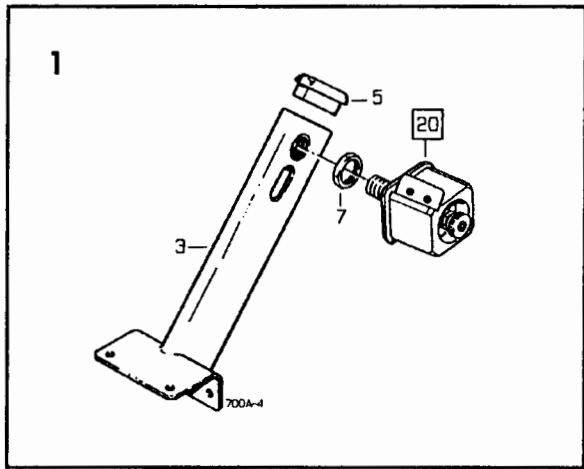


Figure 2807

**Figure 2807**

<b>Ref. No.</b>	<b>3M Part No.</b>	<b>Description</b>
2807-1	78-8076-4633-2	Tape Roll Bracket Assembly
2807-2	78-8070-1565-2	Tape Drum Bracket Assembly
2807-3	78-8070-1566-0	Bracket - Tape Drum
2807-4	78-8070-1395-4	Bracket - Bushing Assembly
2807-5	78-8070-1568-6	Cap - Bracket
2807-6	78-8076-4519-3	Shaft - Tape Drum
2807-7	78-8017-9169-6	Nut - M18 x 1
2807-8	78-8070-1569-4	Tape Drum Assembly
2807-9	78-8052-6749-5	Tape Drum Assembly
2807-10	78-8052-6268-6	Leaf Spring
2807-11	26-1002-5753-9	Screw - Self Tapping
2807-12	78-8060-8172-1	Washer - Friction
2807-13	78-8052-6271-0	Washer - Tape Drum
2807-14	78-8054-8826-5	Spring
2807-15	78-8060-7851-1	Ring Nut - Adjusting
2807-16	78-8060-7886-7	Screw - Hex Hd M6 x 16
2807-17	78-8070-1215-4	Spacer - Stud
2807-18	26-1000-0010-3	Washer - Flat M6
2807-19	78-8010-7169-3	Screw - Hex Hd M6 x 12
2807-20	78-8060-8474-1	Tape Drum Assembly - 2 Inch Head

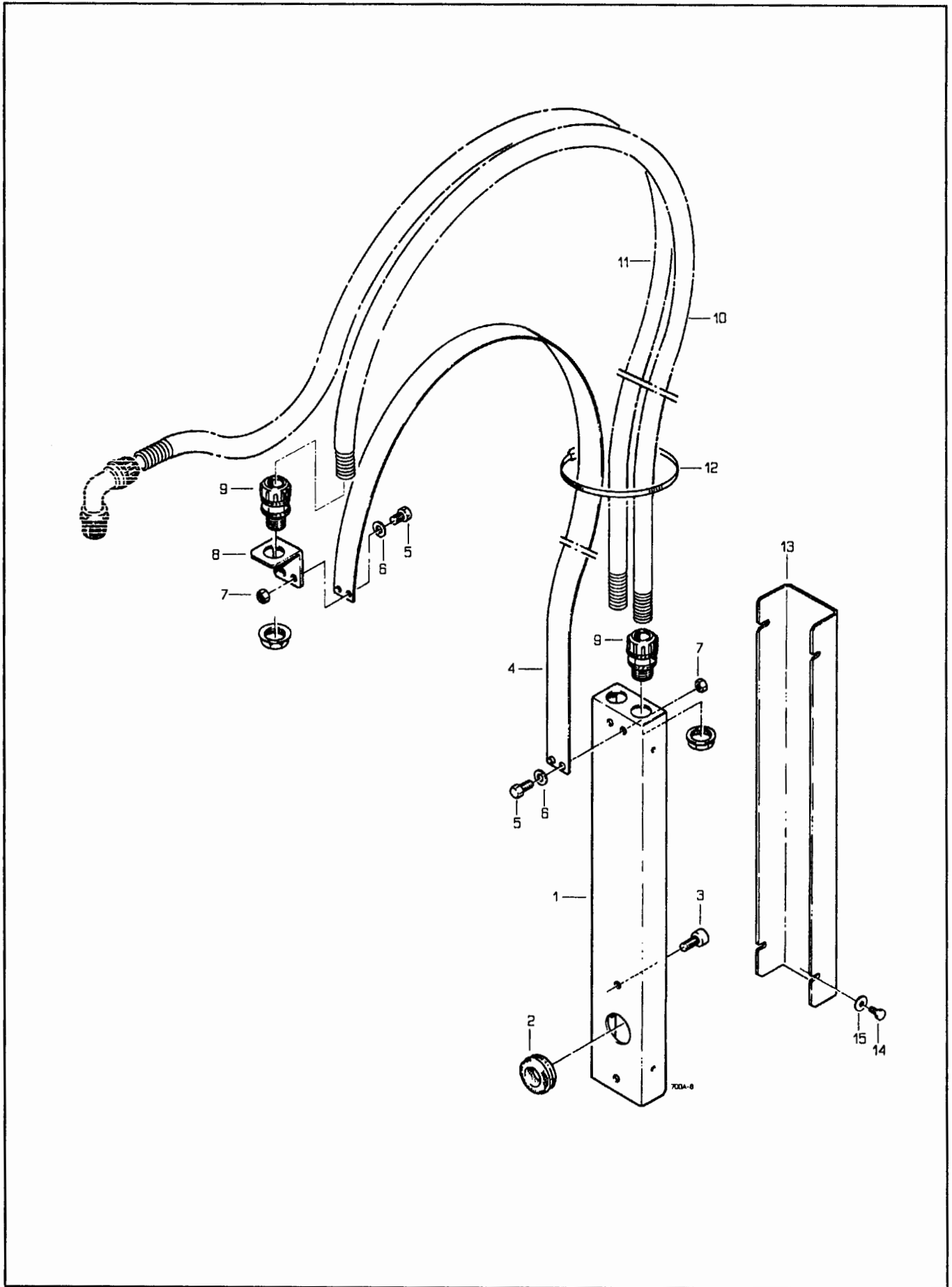


Figure 2808

**Figure 2808**

<b>Ref. No.</b>	<b>3M Part No.</b>	<b>Description</b>
2808-1	78-8076-4634-0	Housing - Wire
2808-2	78-8076-4702-5	Grommet - /28
2808-3	26-1003-7963-0	Screw - Soc Hd M8 x 16
2808-4	78-8076-4636-5	Strap - Wire
2808-5	78-8010-7163-6	Screw - Hex Hd M5 x 10
2808-6	78-8005-5741-1	Washer - Plain M5
2808-7	78-8010-7417-6	Nut - Hex M5
2808-8	78-8076-4637-3	Plate - Strap
2808-9	78-8076-4638-1	Union - PG13,5
2808-10	78-8076-4639-9	Sleeving - Wire
2808-11	78-8076-4640-7	Sleeving - Wire
2808-12	78-8060-8029-3	Clamp - 140 x 3,5
2808-13	78-8076-4641-5	Cover
2808-14	26-1003-5810-5	Screw - Hex Hd M4 x 8
2808-15	78-8017-9018-5	Washer - Plain, Spec. M4

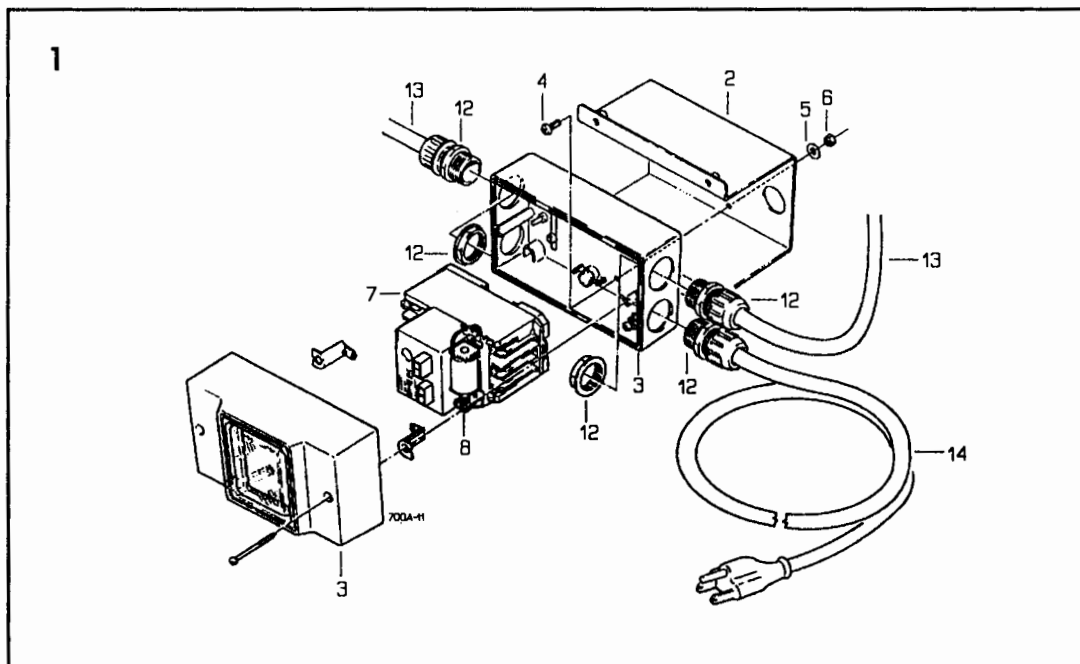
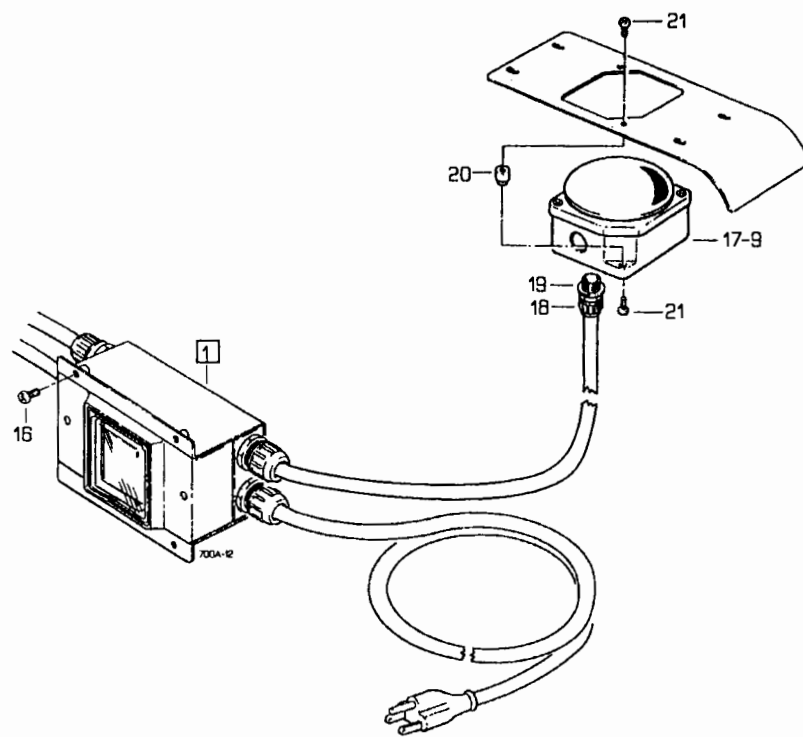


Figure 2809

**Figure 2809**

<b>Ref. No.</b>	<b>3M Part No.</b>	<b>Description</b>
2809-1	78-8076-4642-3	On/Off Switch W/Coil
2809-2	78-8070-1572-8	Support - Switch
2809-3	78-8070-1573-6	Box - On/Off Switch
2809-4	78-8017-9257-9	Screw - M4 X 10
2809-5	78-8017-9018-5	Washer - Plain M4 Spec.
2809-6	78-8010-7416-8	Nut - Hex M4
2809-7	78-8076-4506-0	Switch - On/Off W/Coil 4-6, 3 AMP
2809-8	78-8076-4643-1	Coil - Low Tension, 110V
2809-12	78-8057-5807-1	Cord Grip
2809-13	78-8060-8053-3	Cable - 3X1,5 5MT 1PH
2809-14	78-8028-7909-4	Power Cord U.S.A.
2809-16	78-8060-8087-1	Screw - M5 X 10
2809-17	78-8060-7633-3	Safety Button
2809-18	78-8076-4532-6	Union
2809-19	78-8076-4645-6	Lock Nut - GMP11
2809-20	78-8076-4646-4	Bushing
2809-21	78-8060-7815-6	Screw - M4 X 8