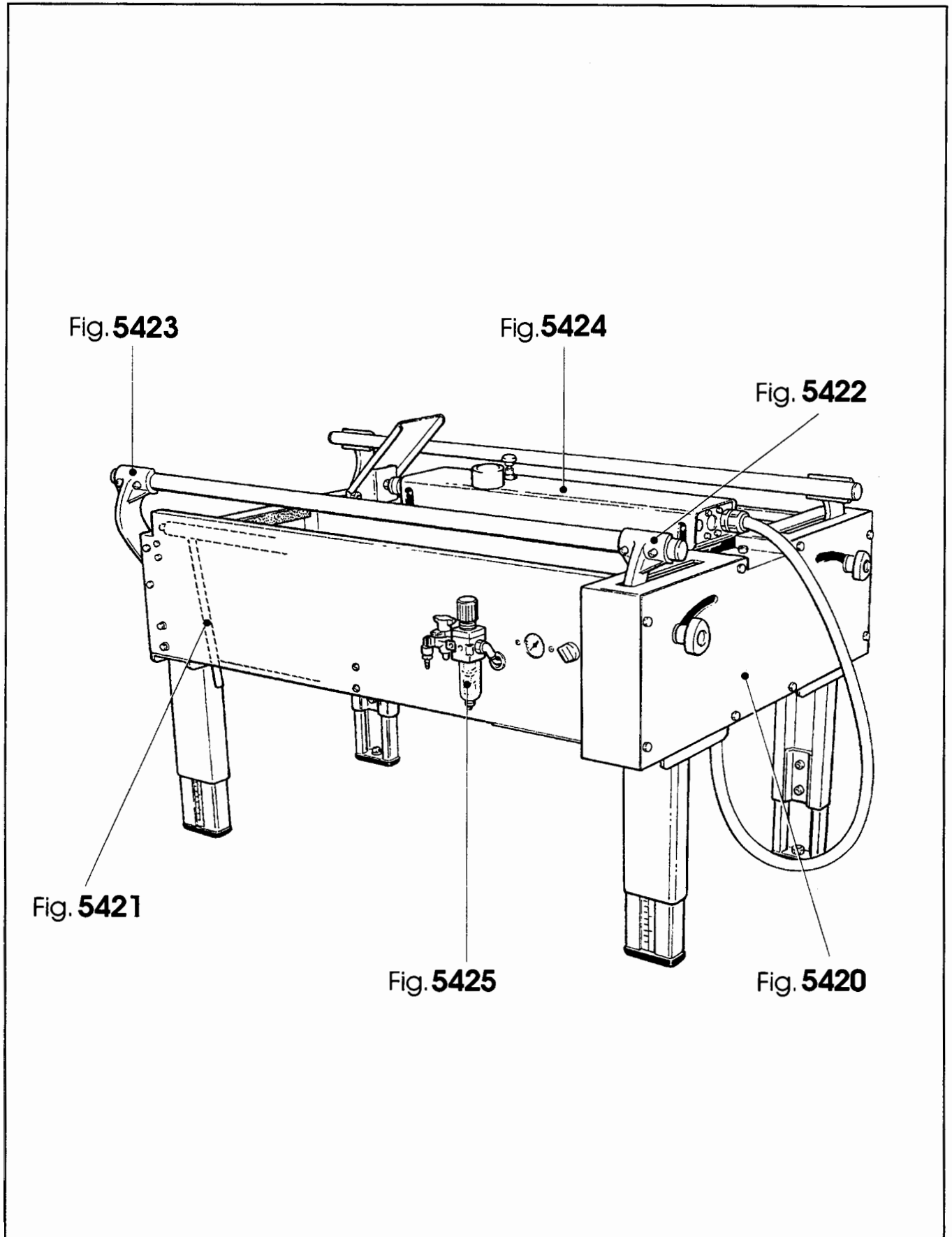


# 300cf Case Former



## Frame Assemblies



**Figure 5420**

<b>Ref. No.</b>	<b>3M Part No.</b>	<b>Description</b>
5420-1	78-8119-6529-8	Conveyor – Bed, W/English Language Label
5420-2	78-8100-0914-8	Leg Assembly
5420-3	78-8100-0915-5	Leg – Outer
5420-4	78-8100-0916-3	Leg – Inner
5420-5	78-8060-8480-8	Pad – Foot
5420-6	78-8055-0867-4	Screw – Hex Hd – M8 x 30
5420-7	78-8017-9318-9	Washer – Plain, 8 mm
5420-8	78-8017-9313-0	Nut – Self-Locking, M8
5420-9	78-8052-6677-8	Clamp – Inner
5420-10	78-8052-6676-0	Clamp – Outer
5420-11	26-1003-7963-0	Screw – Soc Hd, M8 x 16
5420-12	78-8100-0917-1	Label – Leg
5420-13	26-1003-7964-8	Screw – Soc Hd Hex Soc Dr, M8 x 20
5420-14	78-8100-0918-9	Reinforcement
5420-15	26-1003-7943-2	Screw – Soc Hd, M4 x 12
5420-16	78-8005-5740-3	Washer – Plain, 4 mm
5420-17	78-8010-7416-8	Nut – Hex, M4
5420-18	78-8100-0919-7	Plate – Reinforcement
5420-19	78-8010-7169-3	Screw – Hex Hd, M6 x 12
5420-20	26-1000-0010-3	Washer – Flat, M6
5420-21	78-8100-0920-5	Cover – Front
5420-22	78-8032-0375-7	Screw – Hex Hd, M6 x 16
5420-23	78-8042-2919-9	Washer – Triple, M6
5420-24	78-8100-0922-1	Support
5420-25	78-8100-0921-3	Cover
5420-26	26-1003-7957-2	Screw – Soc Hd Hex Hd, M6 x 16
5420-27	78-8100-0923-9	Grommet
5420-28	78-8094-6489-0	Snap Bushing – SB 1250-15
5420-29	78-8060-7885-9	End Cap – /25 x 1.2
5420-30	78-8094-6177-1	Cap
5420-31	78-8076-4535-9	Bracket
5420-32	78-8094-6305-8	Plate – Gauge
5420-33	78-8060-8087-1	Screw – M5 x 10
5420-34	78-8098-9076-3	Caster Assembly
5420-35	26-1009-9096-4	Caster – Dual Locking
5420-36	26-1009-9094-9	Washer – Spring Helical, M12
5420-37	26-1009-9095-6	Nut – M12
5420-40	78-8100-0926-2	Bracket – R/H, 800ab
5420-41	78-8100-0927-0	Bracket – L/H, 800ab
5420-42	78-8100-0924-7	Bracket – R/H
5420-43	78-8100-0925-4	Bracket – L/H
5420-44	26-1003-5842-8	Screw – Hex Hd, M8 x 20

# 300cf Case Former

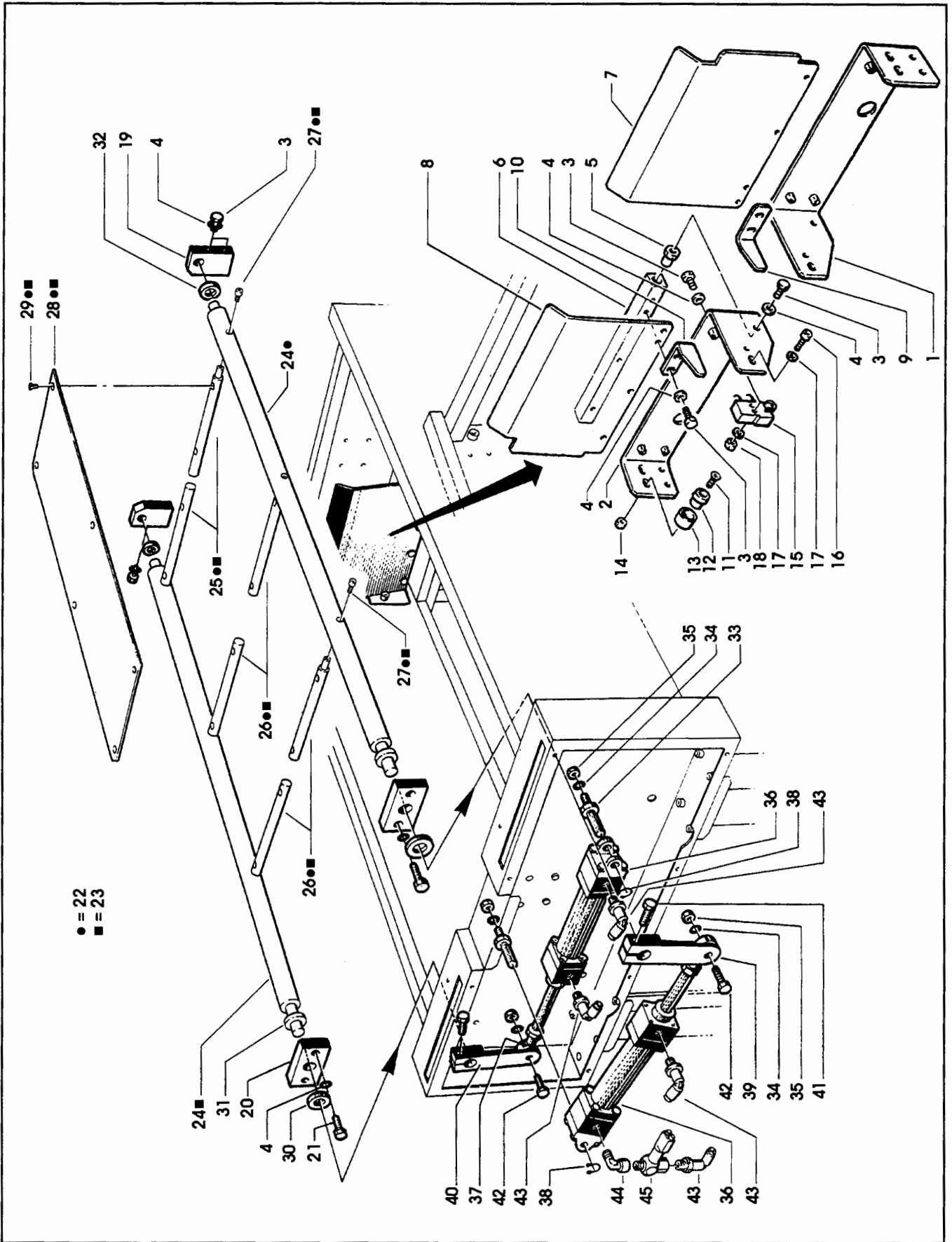


Figure 5421

## Figure 5421

Ref. No.	3M Part No.	Description
5421-1	78-8100-0928-8	Support – R/H, Valve
5421-2	78-8100-0929-6	Support – L/H, Valve
5421-3	78-8032-0375-7	Screw – Hex Hd – M6 x 16
5421-4	26-1000-0010-3	Washer – Flat, M6
5421-5	78-8094-6081-5	Hinge
5421-6	78-8100-0930-4	Support – Cam
5421-7	78-8100-0931-2	Cam – R/H
5421-8	78-8100-0932-0	Cam – L/H
5421-9	78-8100-0933-8	Actuator – Valve, R/H
5421-10	78-8094-6083-1	Lever – Actuator
5421-11	26-1005-5316-8	Screw – Flat Hd Hex Dr, M5 x 16
5421-12	78-8052-6600-0	Spacer
5421-13	78-8070-1269-1	Bumper
5421-14	78-8010-7417-6	Nut – Hex, M5
5421-15	78-8094-6084-9	Limit Switch PXC-M521
5421-16	26-1003-7946-5	Screw – Soc Hd, M4 x 25
5421-17	78-8005-5740-3	Washer – Plain, M4
5421-18	78-8010-7416-8	Nut – Hex, M4
5421-19	78-8055-0786-6	Support – Shaft Right
5421-20	78-8055-0782-5	Support – Shaft Left
5421-21	26-1003-5833-7	Screw – Hex Hd, 6 x 30
5421-22	78-8100-0934-6	Arm Assembly – R/H
5421-23	78-8100-0935-3	Arm Assembly – L/H
5421-24	78-8100-0936-1	Arm
5421-25	78-8114-4674-5	Support – Long
5421-26	78-8114-4675-2	Support – Short
5421-27	26-1003-7951-5	Screw – Soc Hd Hex Soc, M5 x 20
5421-28	78-8114-4676-0	Plate – Flap Folder
5421-29	78-8114-4677-8	Screw – Allen FH, M6 x 15
5421-30	78-8055-0783-3	Washer – D18/30 x 7
5421-31	78-8055-0781-7	Ring Nut
5421-32	78-8055-0787-4	Washer – D14 /30 x 5
5421-33	78-8055-0790-8	Shaft – Cylinder Support
5421-34	78-8052-6566-3	Washer – Friction
5421-35	26-1003-6918-5	Nut – Hex Flange, M10
5421-36	78-8094-6087-2	Cylinder – C65 B332-125C-Y2
5421-37	78-8057-5748-7	Mount – Cylinder Rod End
5421-38	78-8016-5855-6	E-Ring – 10 mm
5421-39	78-8055-0758-8	Lever – Cylinder, Right
5421-40	78-8055-0784-1	Lever – Cylinder, Left
5421-41	78-8017-9301-5	Screw – Hex Hd, M8 x 25
5421-42	26-1003-7976-2	Screw – Hex Hd, M10 x 35
5421-43	78-8094-6088-0	Union – ELbow
5421-44	26-1005-6895-0	90 Degree Elbow
5421-45	78-8094-6078-1	Sensor – 78180410

# 300cf Case Former

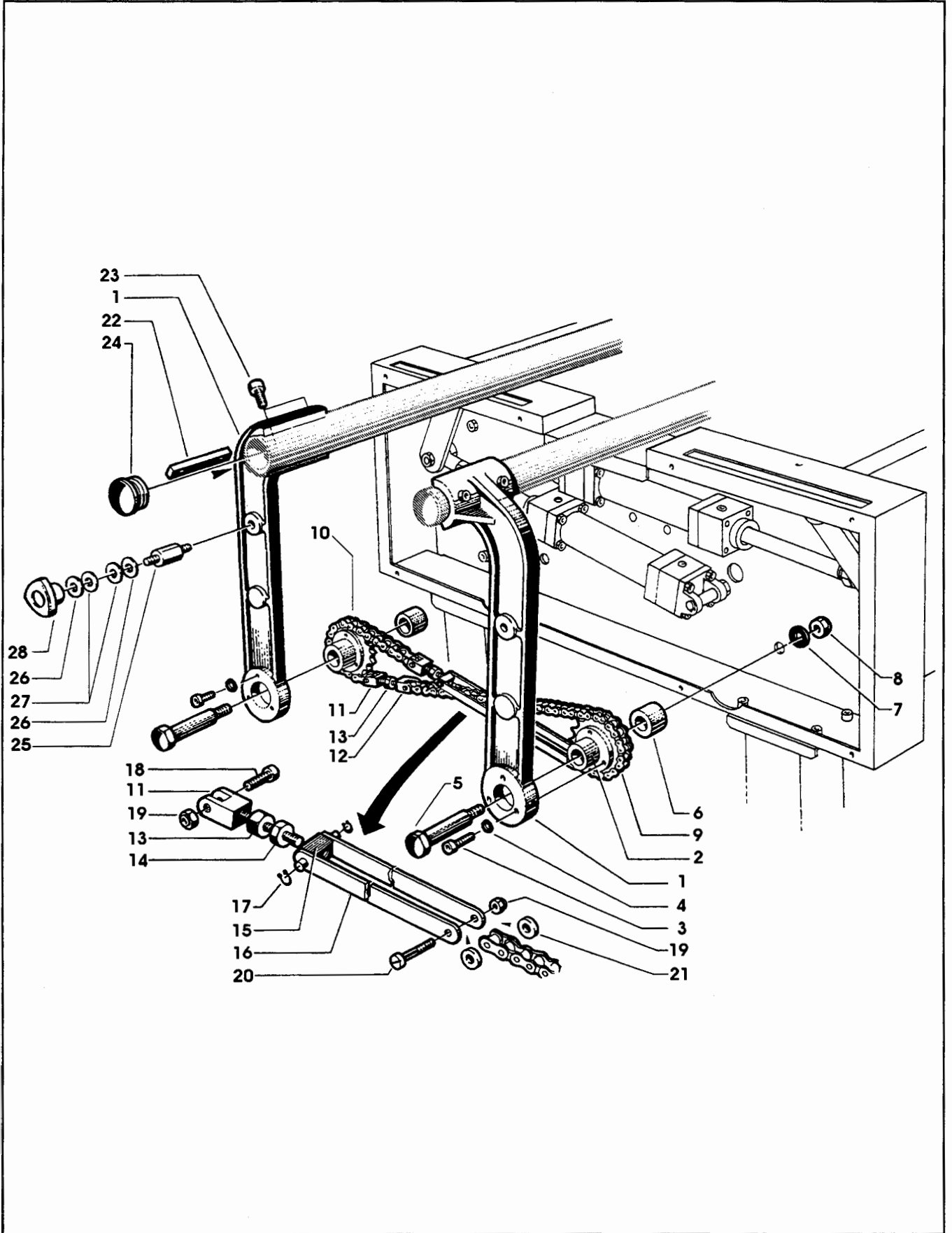


Figure 5422

**Figure 5422**

<b>Ref. No.</b>	<b>3M Part No.</b>	<b>Description</b>
5422-1	78-8100-0938-7	Lever – Front
5422-2	78-8055-0808-8	Sprocket
5422-3	78-8010-7165-1	Screw – Flat Hd Soc, M5 x 25
5422-4	78-8005-5741-1	Washer – Flat, M5
5422-5	78-8055-0807-0	Shoulder Bolt
5422-6	78-8055-0806-2	Spacer – D16/30 x 35
5422-7	78-8052-6566-3	Washer – Friction
5422-8	26-1003-6918-5	Nut – Hex Flange, M10
5422-9	78-8100-0939-5	Chain – 3/8 Inch Pitch, 28 Pitch
5422-10	78-8054-8777-0	Chain – 3/8 Inch, 41 Pitch Long
5422-11	78-8054-8786-1	Chain Connector
5422-12	78-8054-8788-7	Chain Connector
5422-13	78-8054-8785-3	Rod – Threaded Right/Left
5422-14	78-8010-7418-4	Nut – Hex, M6
5422-15	78-8054-8784-6	Block – Chain
5422-16	78-8054-8787-9	Chain Link
5422-17	78-8056-3945-3	E-Ring – M4
5422-18	78-8060-7502-2	Screw – M3 x 20
5422-19	78-8059-5517-2	Nut – Self-Locking, M3
5422-20	78-8060-7519-4	Screw – M3 x 25
5422-21	78-8054-8783-8	Washer – Special
5422-22	78-8055-0800-5	Plate – 5 x 15 x 70
5422-23	78-8059-5526-3	Screw – Soc Hd Hex Soc Dr – M6 x 15
5422-24	78-8054-8779-6	End Cap
5422-25	78-8100-0940-3	Hexagon – Threaded
5422-26	78-8060-8452-7	Washer – M10
5422-27	78-8100-0941-1	Washer – Nylon
5422-28	78-8070-1549-6	Knob – VTR-B-M10

# 300cf Case Former

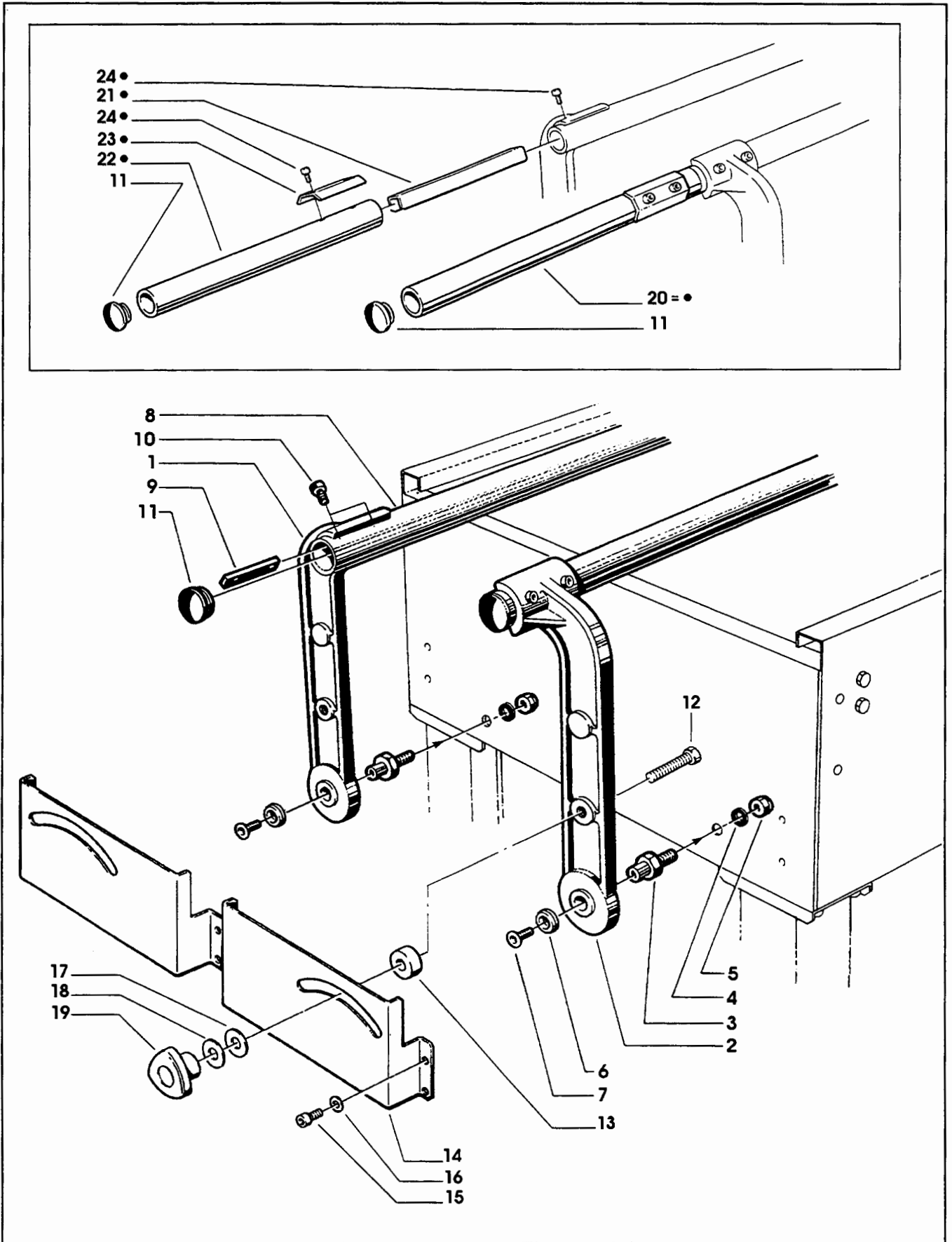


Figure 5423

**Figure 5423**

<b>Ref. No.</b>	<b>3M Part No.</b>	<b>Description</b>
5423-1	78-8100-0942-9	Lever – Rear, R/H
5423-2	78-8100-0943-7	Lever – Rear, L/H
5423-3	78-8094-6057-5	Shaft – Lever
5423-4	78-8052-6566-3	Washer – Friction
5423-5	26-1003-6918-5	Nut – Plastic Insert Hex, M10
5423-6	78-8054-8577-4	Washer – Special
5423-7	26-1001-9843-6	Screw – Flat Soc Hd, M6 x 16
5423-8	78-8055-0798-1	Guide – Centering
5423-9	78-8055-0800-5	Plate – 5 x 15 x 70
5423-10	78-8059-5526-3	Screw – Soc Hd Hex Soc Dr, M6 x 15
5423-11	78-8054-8779-6	End – Cap
5423-12	78-8114-4678-6	Screw – Hex Hd, M10 x 50
5423-13	78-8114-4679-4	Spacer
5423-14	78-8114-4680-2	Guide Adjustment
5423-15	26-1003-7957-2	Screw – Soc Hd Hex Hd, M6 x 16
5423-16	26-1000-0010-3	Washer – Flat, M6
5423-17	78-8100-0941-1	Washer – Nylon
5423-18	78-8060-8452-7	Washer – M10
5423-19	78-8070-1549-6	Knob – VTR-B-M10
5423-20	78-8100-0969-2	Extension Assembly – Side Guide
5423-21	78-8100-0971-8	Extension – Inner
5423-22	78-8100-0970-0	Extension – Outer
5423-23	78-8100-0972-6	Plate
5423-24	78-8023-2334-1	Screw – Soc Hd Hex Soc, M6 x 25

# 300cf Case Former

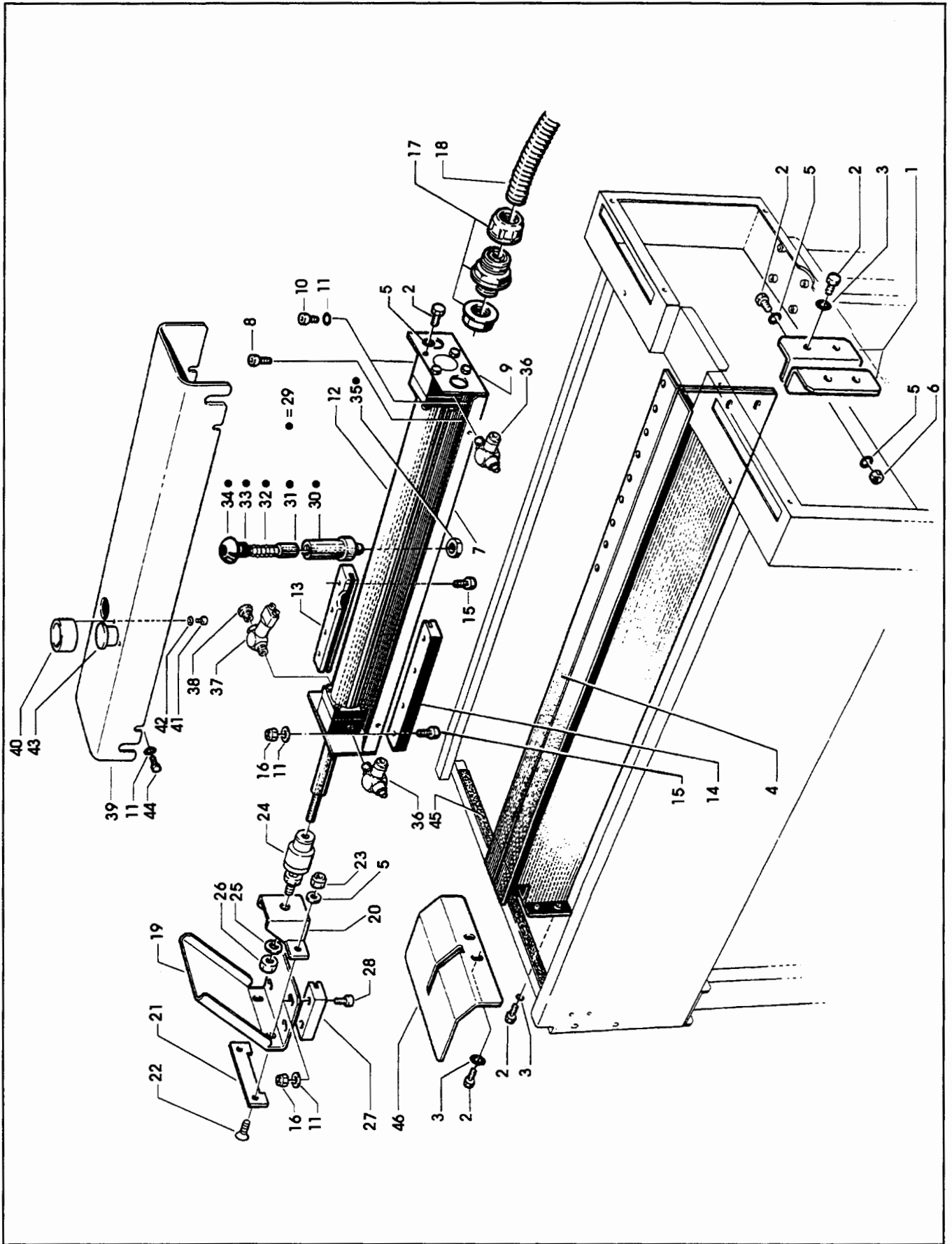


Figure 5424

**Figure 5424**

<b>Ref. No.</b>	<b>3M Part No.</b>	<b>Description</b>
5424-1	78-8094-6089-8	Bracket
5424-2	78-8032-0375-7	Screw – Hex Hd, M6 x 16
5424-3	78-8042-2919-9	Washer – Triple, M6
5424-4	78-8114-4681-0	Box Holder
5424-5	26-1000-0010-3	Washer – Flat, M6
5424-6	78-8010-7418-4	Nut – Hex, M6
5424-7	78-8100-0946-0	Pusher
5424-8	78-8010-7210-5	Screw – Soc Hd Hex Soc, M6 x 20
5424-9	78-8100-0947-8	Plate
5424-10	78-8032-0382-3	Screw – Soc Hex Hd, M5 x 16
5423-11	78-8005-5741-1	Washer – Flat, M5
5423-12	78-8100-0948-6	Cylinder – C65B40-500C
5424-13	78-8055-0768-4	Sliding Block – Ejector Guide
5423-14	78-8114-4682-8	Sliding Block – L/H
5423-15	25-1003-7951-5	Screw – Soc Hd Hex Soc, M5 x 20
5423-16	26-1005-6859-6	Nut – Self-Locking, M5
5423-17	78-8060-8454-3	Union – 1/2 Inch
5423-18	78-8060-8455-0	Sheath – /18 (1 MT)
5423-19	78-8114-4683-6	Flap Folder – Cylinder
5423-20	78-8055-0763-5	Bracket – Ejector
5423-21	78-8060-7933-7	Guide
5423-22	78-8060-8179-6	Screw – Flat Hd Hex, M6 x 20
5423-23	26-1003-6916-9	Nut – Locking Plastic Insert, M6
5423-24	78-8100-0950-2	Joint – Ball
5423-25	78-8100-0783-7	Washer – Special, /12
5423-26	78-8091-0775-4	Nut – M12 x 1.25
5423-27	78-8114-4684-4	Sliding – Flap Folder
5423-28	78-8100-0952-8	Screw – Soc Hd Hex Hd, M5 x 14
5423-29	78-8100-0953-6	Latch
5423-30	78-8094-6096-3	Sleeve – Latch
5423-31	78-8055-0775-9	Jack – Ejector
5423-32	78-8094-6097-1	Spring
5423-33	78-8055-0772-6	Spacer – D8/15 x 8
5423-34	78-8100-0954-4	Knob
5423-35	78-8017-9096-1	Nut – Special, M18 x 1
5423-36	78-8091-0510-5	Regulator – Speed
5423-37	78-8094-6078-1	Sensor – 78180410
5423-38	78-8060-7690-3	Cap – B-1/8 Inch
5423-39	78-8119-6530-6	Cover – Pusher, W/English Language Label
5423-40	78-8114-4685-1	Collar
5423-41	78-8060-7550-9	Screw – Soc Hd Hex Soc, M4 x 10
5423-42	78-8005-5740-3	Washer – Plain, 4 mm
5423-43	78-8055-0771-8	Push Button – PXB-B1011BC2
5423-44	26-1002-5820-6	Screw – Hex Hd, M5 x 16
5423-45	78-8114-4686-9	Bumper
5423-46	78-8114-4687-7	Slide

# 300cf Case Former

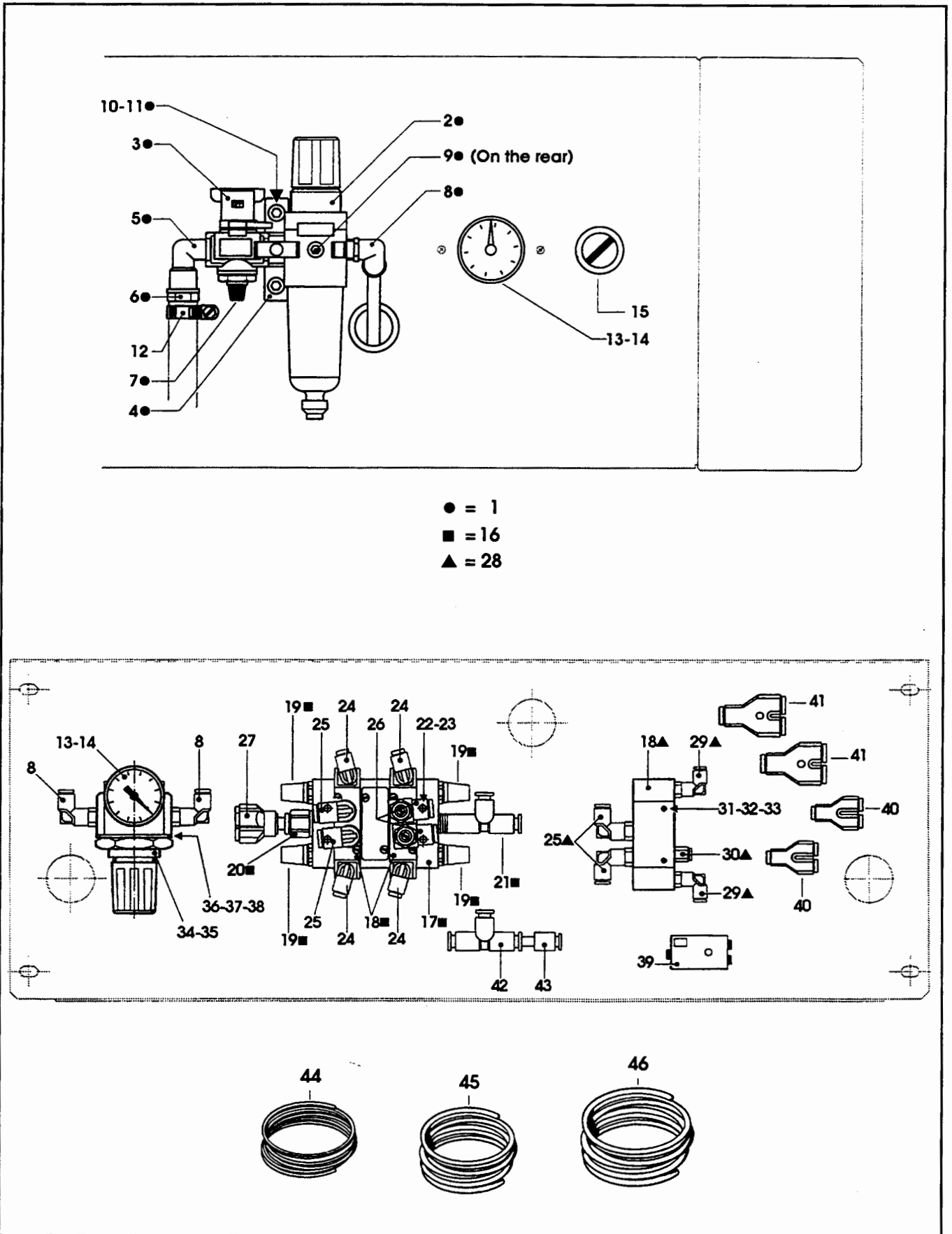
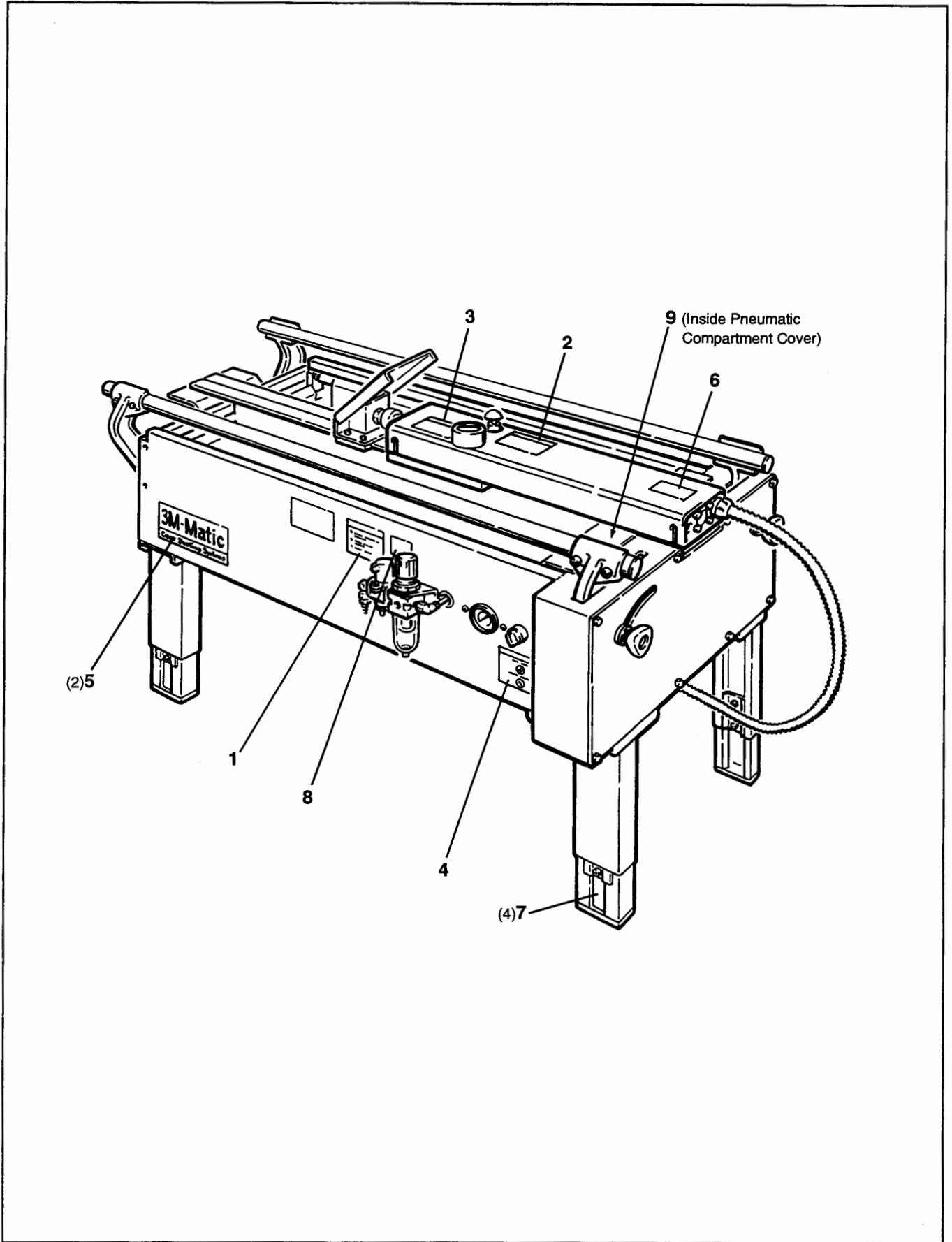


Figure 5425

**Figure 5425**

<b>Ref. No.</b>	<b>3M Part No.</b>	<b>Description</b>
5425-1	78-8100-0956-9	Filter Regulator Assembly
5425-2	78-88076-4668-8	Filter – Pressure Regulator
5425-3	78-8100-0957-7	Valve – EVHS 2500-F02-X116
5425-4	78-8100-0958-5	Block
5425-5	78-8060-7900-6	Union – RA 022, 1/4 Inch - 1/4 Inch
5425-6	26-1005-6897-6	Hose Connector – RA 030 9 1/4 Inch
5425-7	26-1005-6890-1	Muffler
5425-8	78-8094-6343-9	Elbow – 32990613
5425-9	78-8076-4891-6	Union – Straight KQHH-O1S
5425-10	26-1003-7951-5	Screw – Soc Hd Hex Soc, M5 x 20
5425-11	78-8028-8214-8	Washer
5425-12	78-8091-0430-6	Clamp – /14-24
5425-13	78-8054-8838-0	Gauge – Air
5425-14	78-8076-4672-0	Union – Straight, Female
5425-15	78-8094-6071-6	Valve – PXB-B2011BD2
5425-16	78-8100-0959-3	Valve Assembly
5425-17	78-8094-6073-2	Base – Valve
5425-18	78-8094-6074-0	Valve – EVZA 5220
5425-19	78-8076-4886-6	Muffler – 1/4 Inch
5425-20	78-8094-6075-7	Union – Straight
5425-21	78-8060-7858-6	Union – Tee, Lateral
5425-22	26-1003-7947-3	Screw – Soc Hd Hex Soc, M4 x 35
5425-23	78-8005-5740-3	Washer – Plain, 4 mm
5425-24	78-8057-5732-1	Fitting – Elbow
5425-25	26-1005-6893-5	Elbow – 90 Degree
5425-26	78-8094-6077-3	Regulator – Flow, 77080610
5425-27	78-8094-6076-5	Union – Y
5425-28	78-8114-4688-5	Valve Assembly – EVZA 5220
5425-29	26-1005-5909-0	ELbow
5425-30	26-1005-6910-7	Union – Straight
5425-31	78-8114-4689-3	Screw – Soc Hd Hex Hd, M3 x 35
5425-32	78-8076-4538-3	Washer – Flat, M3
5425-33	78-8114-4690-1	Nut – M3
5425-34	78-8076-4675-3	Regulator – 0.5-7 BAR
5425-35	78-8114-4691-9	Elbow – KQL 04-02S
5425-36	78-8114-4673-7	Bracket
5425-37	26-1003-7957-2	Screw – Soc Hd Hex Hd, M6 x 16
5425-38	26-1000-0010-3	Washer – Flat, M6
5425-39	78-8094-6451-0	Valve – Selector, PLK-A11
5425-40	78-8076-4664-7	Union – Female
5425-41	78-8094-6079-9	Union – Y, Female
5425-42	78-8057-6170-3	Tee – Tubing, 6 mm
5425-43	78-8057-5735-4	Fitting – Reducer
5425-44	78-8060-8033-5	Tubing – 5M Skein, D4/3
5425-45	78-8060-8034-3	Tubing – 5M Skein, D6/4
5425-46	78-8076-4911-2	Tubing – DX6, 5 MT

# 300cf Case Former



## Safety and Information Labels

## 300cf Safety and Information Labels

A label kit, part number 78-8198-91105-0 is available as a stock item. It contains all the safety and information labels used on the infeed conveyor, or labels can be ordered separately from the following list.

<b>Ref. No.</b>	<b>3M Part No.</b>	<b>Description</b>	<b>Qty.</b>
1	78-8098-9101-9	Label – Safety Instructions	1
2	78-8098-9102-7	Label – Ram Adjust	1
3	78-8098-9103-5	Label – Manual Ram Activate	1
4	78-8098-9104-3	Label – Operation Mode	1
5	78-8062-4266-1	Label – Product	2
6	78-8068-3859-1	Label – Service and Spares	1
7	78-8060-8481-6	Label – Leg	4
8	78-8111-1496-2	Label – Air Pressure	1
9	78-8113-6626-5	Label – Warning, Air Pressure	1